

WFI  
9000 Conservation Way  
Fort Wayne, IN 46809

# Versatec

## Water-to-Water Heat Pump With FX-10 Control

**Submittal Data** SD1063

**Type: Water-to-Water**  
**Size: 180, 360**

Purchaser's approval of this drawing signifies that the equipment is acceptable under the provisions of the job specifications.

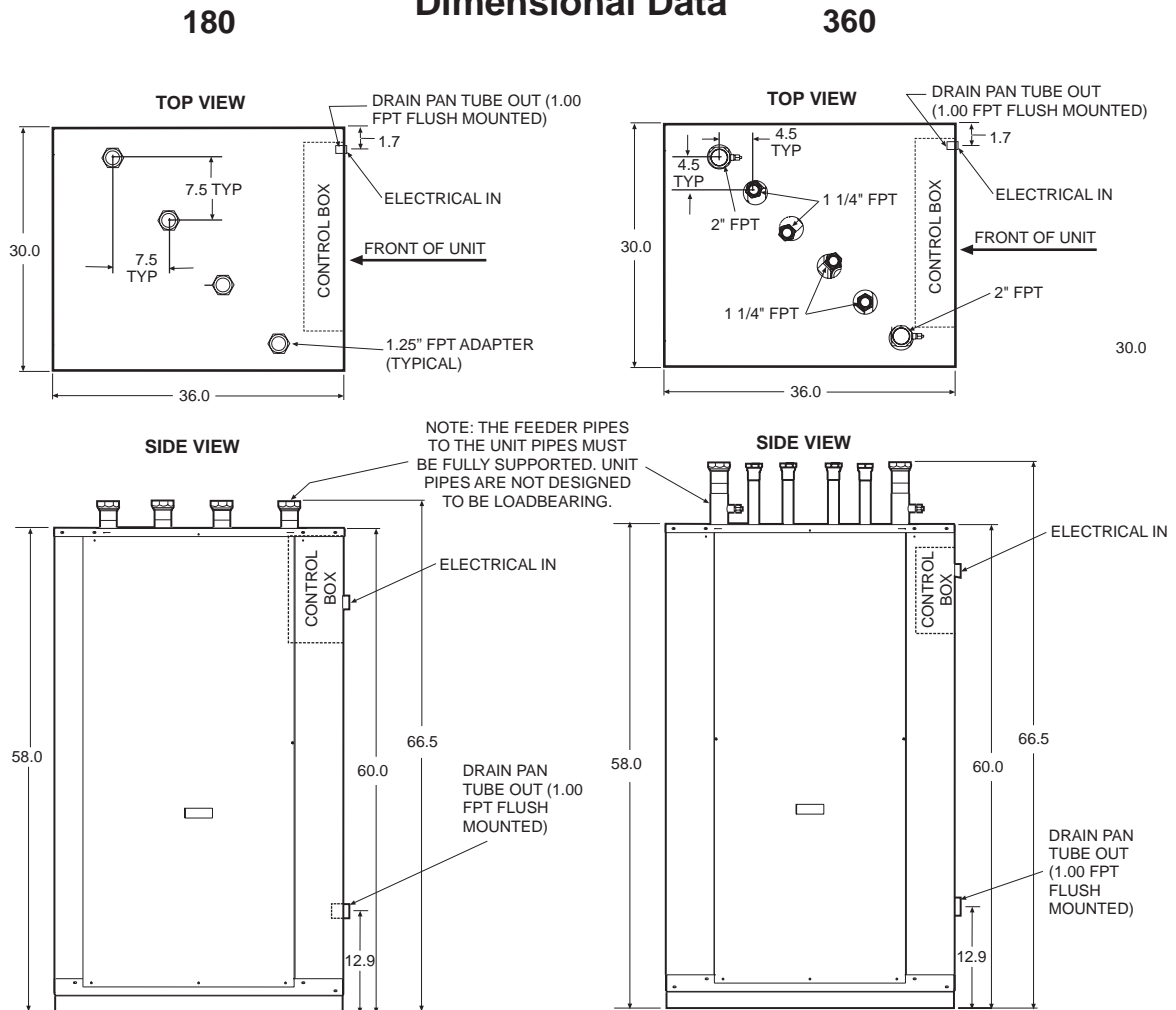
Contractor: \_\_\_\_\_  
P.O.: \_\_\_\_\_  
Engineer: \_\_\_\_\_  
Project Name: \_\_\_\_\_  
Unit Tag: \_\_\_\_\_

### General Specifications

**Cabinet** - Casing of galvanized steel, with a polyester powder coat finish.  
**Insulation** - 1/2" thick multi-density glass fiber.  
**Insulated Refrigerant Circuit** - Dual sealed refrigerant circuit each including a reversing valve, thermal expansion valve and high/low side access valves.  
**Compressor(s)** - 3 phase motor, hermetically sealed with overload protection and mounted on rubber isolators. Scroll type.

**Brazed Plate Heat Exchanger** - 316 stainless steel plates with copper brazing rated to 450 PSI.  
**Controls** - FX10 Control provides operational sequencing, high and low pressure switch monitoring, freeze protection, general lockout, emergency shutdown, short cycle protection, random start delay, compressor lead/lag. Low voltage terminal strip to facilitate field wiring.

### Dimensional Data



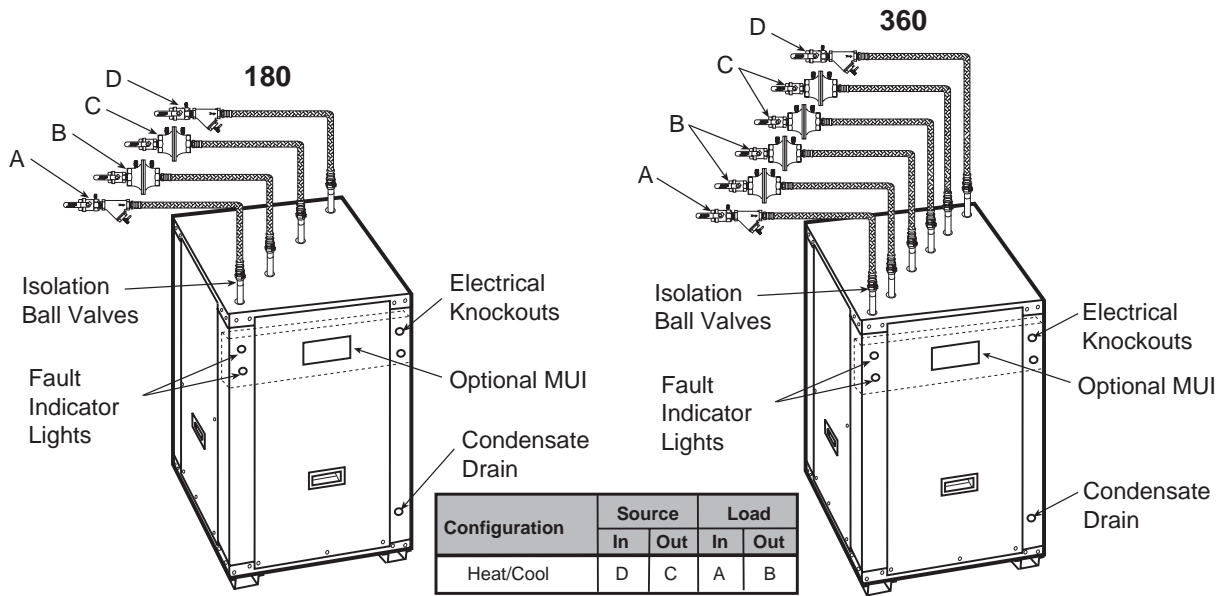
SERVICE ACCESS IS THROUGH FRONT AND REAR OF UNIT. ALLOW MINIMUM OF 24" ACCESS SPACE. ADDITIONAL SERVICE ACCESS THROUGH SIDE PANELS.

**NOTE: All dimensions are in inches.**

## Physical Data

Model	Compressor	Refrigerant Charge - R22 (oz.) (each circuit)	Basic Unit Weight (lbs.)	Drain Connection
180	Scroll (1)	142	479	1"
360	Scroll (2)	142	685	1"

## Piping Configuration



Field supplied circuit setters must be installed in each water outlet to maintain an equal flow rate through each heat exchanger.

## Electrical Data

Model	Voltage Code	Rated Voltage	Voltage Min/Max	Compressor				Total Unit FLA	Min Circ Amp	Max Fuse	Max HACR Breaker
				QTY	MCC	RLA	LRA				
VL180W	3	208-230/60/3	197/254	1	75.0	48.1	300	48.1	60.1	100	100
	4	460/60/6	414/506	1	34.0	21.8	150	21.8	27.2	45	45
	5	575/60/3	517/633	1	29.0	18.6	109	18.6	23.2	40	40
	8	380/60/3	342/418	1	40.0	25.6	139	25.6	32.1	50	50
VL360W	3	208-230/60/3	197/254	2	75.0	48.1	300	96.2	108.2	150	150
	4	460/60/6	414/506	2	34.0	21.8	150	43.6	49.0	70	70
	5	575/60/3	517/633	2	29.0	18.6	109	37.2	41.8	60	60
	8	380/60/3	342/418	2	40.0	25.6	139	51.3	57.7	80	80

All fuses type "D" time delay (or HACR circuit breaker in USA)

Apr-08

### Options (factory mounted):

- |   |   |
|---|---|
| <input type="checkbox"/> Communication module for connection to building automation systems (N2 Open, BacNet, LonWorks) | <input type="checkbox"/> Phase Protection<br><input type="checkbox"/> Medium User Interface (MUI) |
|---|---|